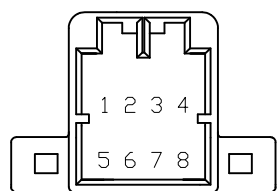
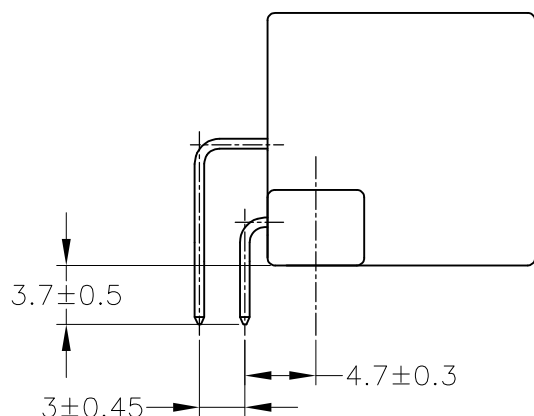
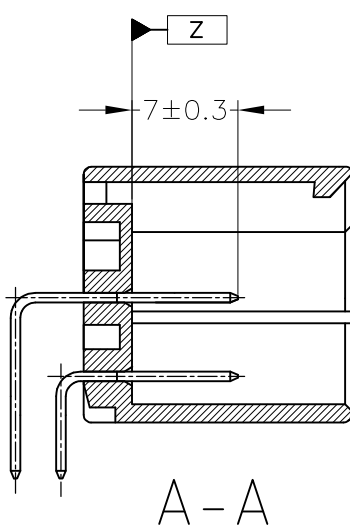
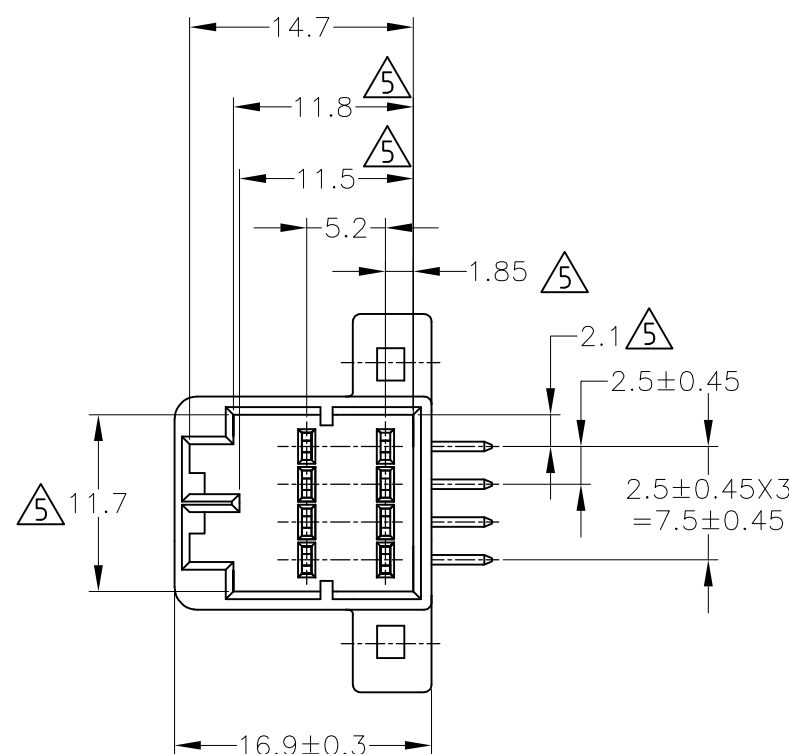
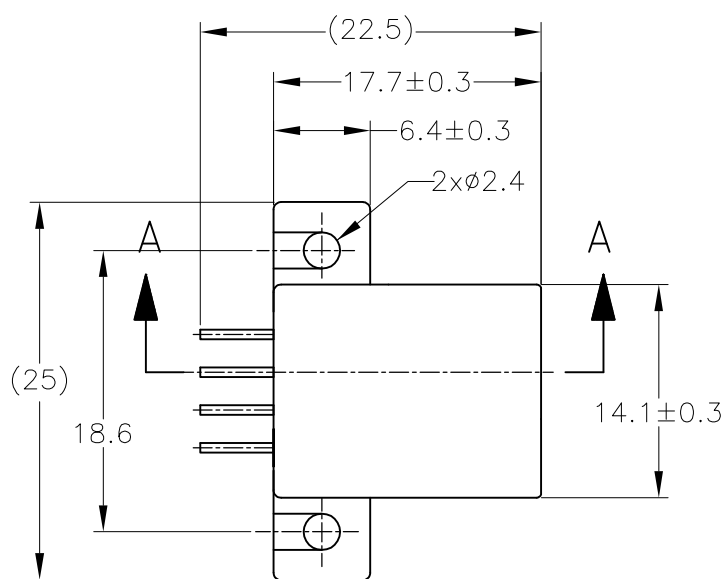
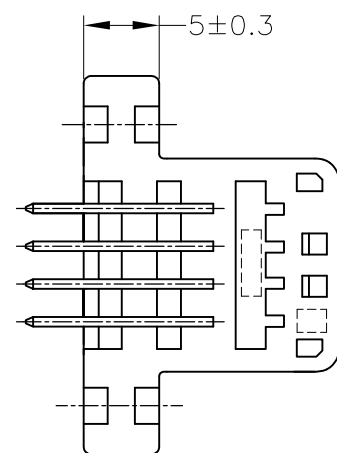
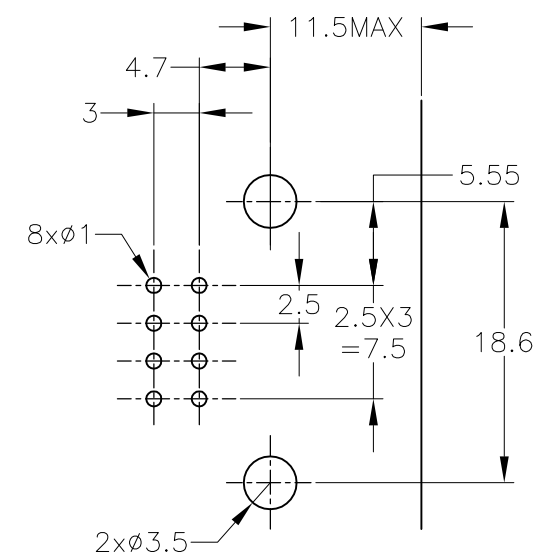


| P | LTR | DESCRIPTION | DATE | DWN | APVD |
|---|-----|-------------|-----------|-----|------|
| | D8 | REVISED | 14OCT2016 | KF | HY |

プリント基板取付け寸法
(MOUNTING DIMENSION FOR P.C.BOARD)
(公差は累積しないこと)
(NON ACCUMULATE TOLERANCE)
(公差±0.1)
(TOLERANCE ±0.1)



TOLERANCE UNLESS OTHERWISE SPECIFIED: 一般公差

| | |
|--------------|---------|
| 0 < x ≤ 10 | : ±0.2 |
| 10 < x ≤ 30 | : ±0.25 |
| 30 < x ≤ 100 | : ±0.3 |
| ANGLE ; 角度 | : ±3° |

- 適用プリント基板厚;1.6mm
 - 推奨取付ネジ; JIS B1115, B1122 タッピングネジ
ナベ2種呼び径3, 長さ6mm以上 (締付トルク; 0.392N·m 以下)
 - 嵌合相手ハウジング; 175964
 - 適用製品規格番号; 108-5281
- △ Z 面より2mmの範囲で測定
△ 回路番号; 右図参照

- APPLICABLE P.C.B BOARD THICKNESS; 1.6mm
 - RECOMMENDED MOUNTING SCREW 3mm DIA 6mm LENGTH (MIN)
TAPPING SCREW SPECIFIED IN JIS B1115, B1122
(TIGHTENING TORQUE; 0.392N·m MAX)
 - THE MATING PLUG HSG. PART NUMBER; 175964
 - APPLICABLE PRODUCT SPEC NO.; 108-5281
- △ TO BE MEASURED WITHIN 2mm FROM Z
△ CIRCUIT NUMBER

| PRE-TIN X 5 | | | | |
|-------------------------|------------------------|---|-------------------------|-------------|
| SELECTIVE-TIN (MATTE) | SELECTIVE-GOLD X 3 | 4, 7, 8 | BLACK 黒色 | 5175973-3 |
| SELECTIVE-TIN (MATTE) | SELECTIVE-GOLD X 8 | 1~8 | BLACK 黒色 | 1-5175973-2 |
| SELECTIVE-TIN (MATTE) | SELECTIVE-TIN (BRIGHT) | — / — | BLACK 黒色 | 175973-4 |
| PRE-TIN X 5 | | 4, 7, 8 | BLACK 黒色 | 175973-3 |
| TIN-LEAD | SELECTIVE-GOLD X 3 | — / — | BLACK 黒色 | 175973-2 |
| PRE-TIN | | — / — | GRAY 灰色 | 175973-1 |
| 半田付け部 SOLDERING SIDE | 接触部側 CONTACT SIDE | CIRCUIT NO OF GOLD PLATED CONTACT △ 金メッキ端子使用回路番号 | HOUSING COLOR ハウジング色 | PN 型番 |

THIS DRAWING IS A CONTROLLED DOCUMENT.

| | | |
|------------------|-------------|---------|
| DWN | T.SHINOHARA | 12FEB02 |
| CHK | A.YAMAGUCHI | 12FEB02 |
| APVD | K.BETSUI | 12FEB02 |
| PRODUCT SPEC | 製品規格 | |
| APPLICATION SPEC | 取付適用規格 | |
| WEIGHT | 3.25 g | |

SEE NOTE 4

STE TE Connectivity

040 SERIES MULTI-LOCK I/O CONN MK-II
8POSITION CAP HOUSING ASSEMBLY

| | | | |
|------|-----------|------------|---------------|
| SIZE | CAGE CODE | DRAWING NO | RESTRICTED TO |
| A3 | 00779 | C-175973 | — |

CUSTOMER DRAWING

SCALE 尺度 2:1

SHEET 1 OF 1

REV D8